

FORA LIGHTING

LED WALL PACK

ENVIRONMENTALLY FRIENDLY, ENERGY EFFICIENT

PROJECT NAME: _____

CATALOG: _____ FIXTURE TYPE: _____

VOLTS / WATTS: _____ KELVIN TEMP: _____



QUICK SHIP



**124
LPW**

MEDIUM SIZE:



30W / 45W / 70W

LARGE SIZE:



90W / 135W

APPLICATIONS ▶

Security, Pathway and Perimeter Lighting, Building Entryways and Walkways

FEATURES ▶

- Sealed die-casting profile for indoor and outdoor applications.
- Voltage is 120-277V
- Lumen output from 3300-16400lm with efficacy up to 124lm/W.
- Polycarbonate optical lens with UV stabilizers
- Photocell optional and supports Emergency Battery
- Replacing 100W MH to 400W MH.
- Operating temperature is -40°C to 50°C (-40°F to 122°F).
- UL/cUL wet location and DLC qualified.

HOUSING

Suitable for both indoor and outdoor application, also suitable for J-BOX mounting and surface mounting.

PHOTOCELL

Optional photocell for energy savings.

1/2 INCH THREADED KNOCKOUTS

3 knockouts:
1 top and 1 each side.

LENS

Shatter-proof polycarbonate optical lens with UV stabilizers.



EM OPTION

ORDERING GUIDE ►

Example: FWP 45W 27V 50K D P1

Fixture Type	Wattage	Voltage	CCT	Finish	Photocell (Option)	Emergency Battery (Option)
<input type="text"/>	<input type="text"/>	<input type="text"/>	<input type="text"/>	<input type="text"/>	<input type="text"/>	<input type="text"/>
FWP Wall Pack	30 30W 45 45W 70 70W 90 90W 135 135W	27V 100-277V	40K 4000K 50K 5000K	D Dark Bronze B Black W White	P0 Without Photocell P1 120-277V Photocell	EM Emergency Battery Blank Without Emergency Battery

PERFORMANCE DATA ►

SYSTEM WATTS (Watts)	VOLTAGE (Volts)	4000K (80CRI)		5000K (80CRI)	
		LUMENS	LPW	LUMENS	LPW
30	100-277	3300	110	3390	113
45	100-277	5220	116	5310	118
70	100-277	7980	114	8120	116
90	100-277	10890	121	11160	124
135	100-277	15660	116	16335	121

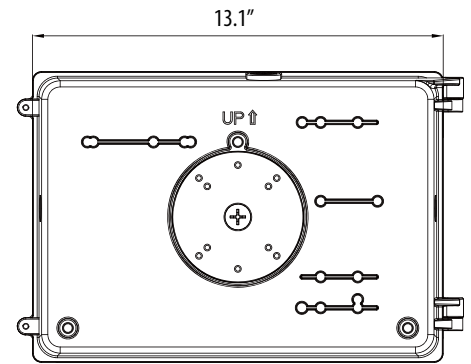
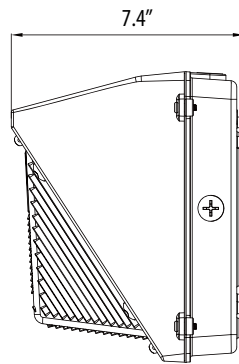
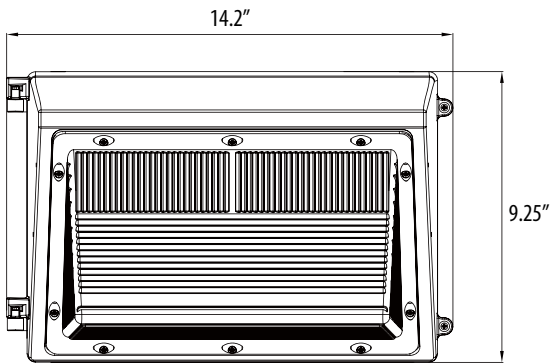
ELECTRICAL DATA ►

Number Of Drivers	Driver Current (Amps)	Nominal Power (W)	INPUT VOLTAGE (V)	CURRENT (Amps)
1	720	30	120	0.25
		30	208	0.14
		30	240	0.13
		30	277	0.11
1	1100	45	120	0.38
		45	208	0.22
		45	240	0.19
		45	277	0.16
1	1750	70	120	0.58
		70	208	0.34
		70	240	0.29
		70	277	0.25
2	2200	90	120	0.75
		90	208	0.43
		90	240	0.38
		90	277	0.32
2	3500	135	120	1.13
		135	208	0.65
		135	240	0.56
		135	277	0.49

DIMENSIONS ►

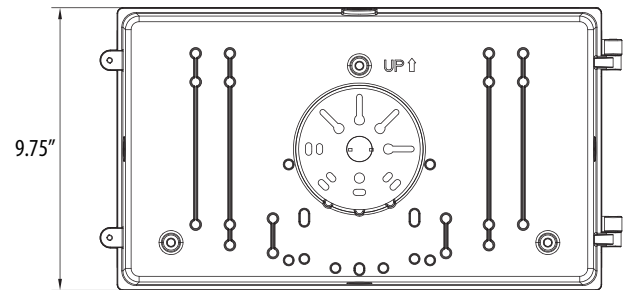
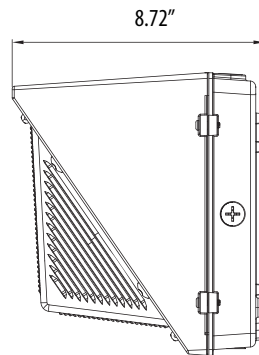
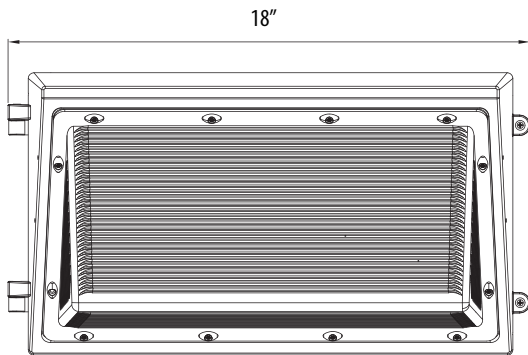
MEDIUM SIZE

Net Weight 30W: 6.724lb 45W: 6.834lb 70W: 6.9lb



LARGE SIZE

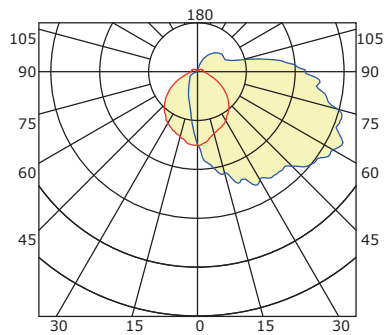
Net Weight 90W: 9.105lb 135W: 9.766lb



PHOTOMETRICS ►

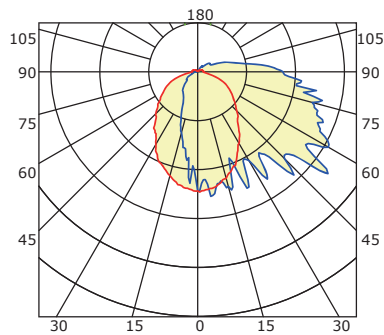
MEDIUM SIZE

Luminous Intensity Distribution Curve



LARGE SIZE

Luminous Intensity Distribution Curve



ACCESSORIES ▶



EMERGENCY BATTERY

NO. EB-8W/90min-1
USE: 900lm 90min.
45W and 70W only.



PHOTOCELL

NO. PC-JL-120-277V
USE: Photocell is field installed
or Pre-installed in factory by
requesting.