

FORA LIGHTING

PROJECT NAME: _____

CATALOG: _____ FIXTURE TYPE: _____

VOLTS / WATTS: _____ KELVIN TEMP: _____



LED FULL CUTOFF WALL PACK

ENVIRONMENTALLY FRIENDLY, ENERGY EFFICIENT

QUICKSHIP



**109
LPW**

APPLICATIONS ▶

Security, Pathway and Perimeter Lighting, Building Entryways and Walkways.
Suitable for indoor and outdoor applications with J-BOX or surface mounting.
Dark Sky compliant full cutoff design reduces light pollution.

FEATURES ▶

- UL/cUL Listed for wet locations.
- DLC Premium Listed.
- 4800-14000 Lumen output, replaces 100-400W metal halide bulbs.
- Dark Sky compliant full cutoff design.
- Type III polycarbonate optical lens with UV stabilizers.
- Built-in UL class 2 driver for long life.
- High-detail 80CRI at 4000k, 5000k.
- Optional photocell for additional energy savings.
- Optional Emergency Battery.
- Available in Dark Bronze, Black or White.

MEDIUM SIZE: 45W / 70W



LARGE SIZE: 90W / 135W



HOUSING

Suitable for both indoor and outdoor application, also suitable for J-BOX mounting and surface mounting

PHOTOCELL

Optional photocell allows for security and energy saving

1/2 INCH THREADED KNOCKOUTS

3 knockouts:
1 top and 1 each side.

PHOTOMETRICS

Polycarbonate optical lens with tempered, shatter-proof glass provide standard type III photometrics



PERFORMANCE DATA ►

Size	SYSTEM WATTS (Watts)	.PW		4000K (80CRI)		5000K (80CRI)
		109	VOLTAGE (Volts)	LUMENS	LPW	LUMENS
Medium	45	105	120-277	4815	107	4905
Medium	70	106	120-277	7280	104	7350
Large	90	104	120-277	9270	103	9540
Large	135		120-277	13635	101	14040

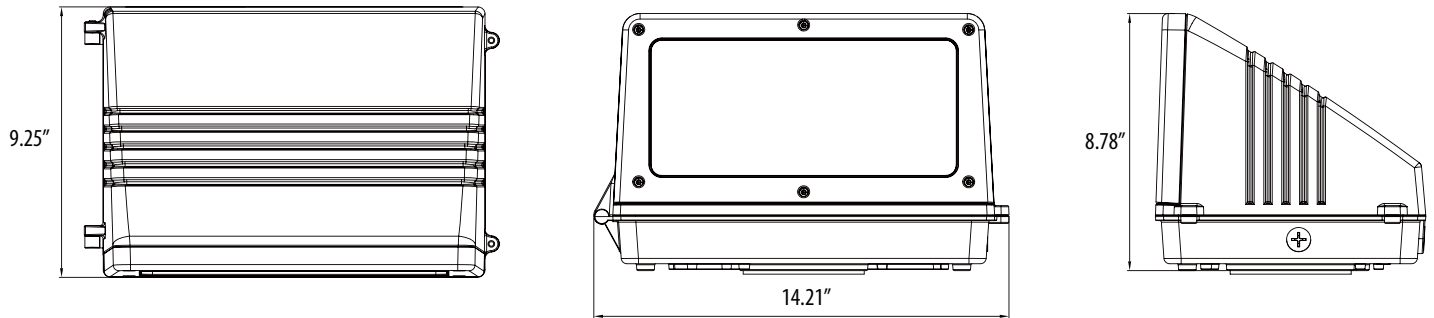
ELECTRICAL DATA ►

Number Of Drivers	Driver Current (Amps)	Size	Nominal Power (W)	INPUT VOLTAGE (V)	CURRENT (Amps)
1	1100	Medium	45	120	0.38
		Medium	45	208	0.22
		Medium	45	240	0.19
		Medium	45	277	0.16
1	1750	Medium	70	120	0.58
		Medium	70	208	0.34
		Medium	70	240	0.29
		Medium	70	277	0.25
2	2200	Large	90	120	0.75
		Large	90	208	0.43
		Large	90	240	0.38
		Large	90	277	0.32
2	3500	Large	135	120	1.13
		Large	135	120	0.65
		Large	135	120	0.56
		Large	135	120	0.49

DIMENSIONS ►

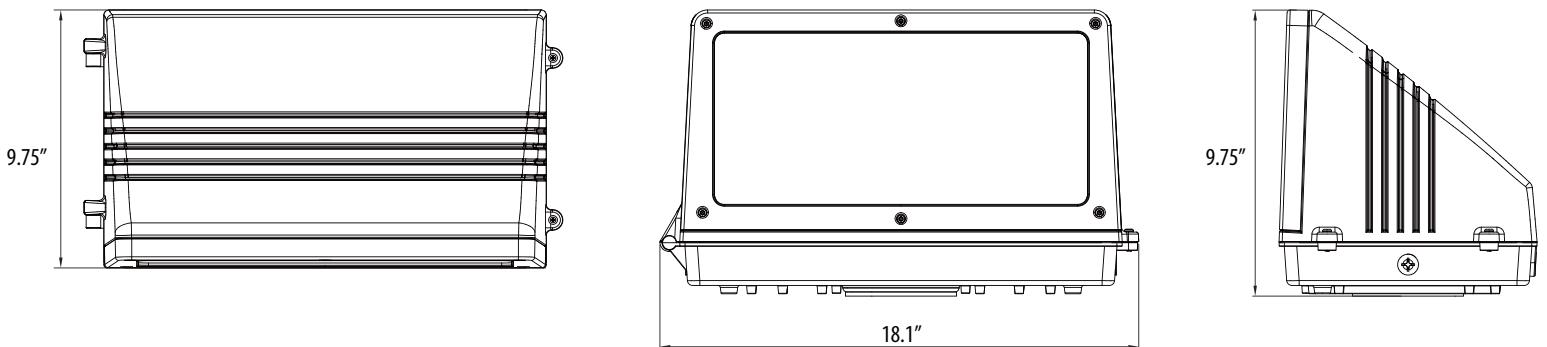
MEDIUM SIZE

Net Weight 45W: 9.48lb 70W: 9.81lb



LARGE SIZE

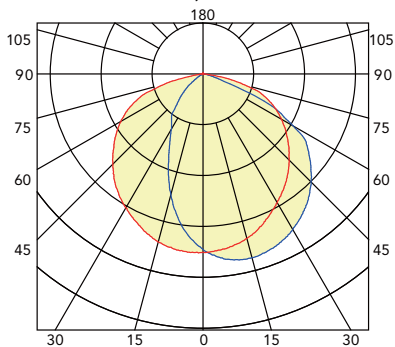
Net Weight 90W: 12.92lb 135W: 13.03lb



PHOTOMETRICS ►

MEDIUM SIZE

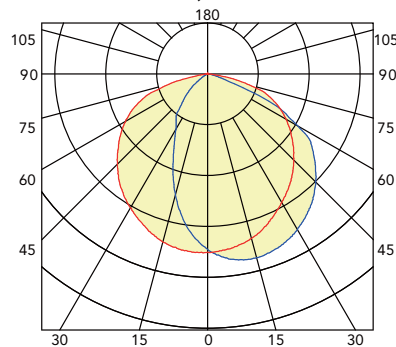
Luminous Intensity Distribution Curve



Average Diffuse Angle(50%): 102.7°

LARGE SIZE

Luminous Intensity Distribution Curve



Average Diffuse Angle(50%): 109.7°

ORDERING GUIDE ▶

Example: FWPF 90 27V 50K D

Fixture Type	Wattage	Voltage	CCT	Finish	Photocell (Option)
<input type="text"/>	<input type="text"/>	<input type="text"/>	<input type="text"/>	<input type="text"/>	<input type="text"/>
FWPF Full Cutoff Wall Pack	45 45W 70 70W 90 90W 135 135W	12V 120 27V 120-277V	40K 4000K 50K 5000K	D Dark Bronze B Black W White	P0 Without Photocell P1 120-277V Photocell

ACCESSORIES ▶



EMERGENCY BATTERY

NO. EB-8W/90min-1
USE: 900lm 90min.
45W and 70W only.



PHOTOCELL

NO. PC-JL-120-277V
USE: Photocell is field installed
or Pre-installed in factory by
requesting.