

# FORA LIGHTING

PROJECT NAME: \_\_\_\_\_

CATALOG: \_\_\_\_\_ FIXTURE TYPE: \_\_\_\_\_

VOLTS / WATTS: \_\_\_\_\_ KELVIN TEMP: \_\_\_\_\_



**IP66**



## LED FLEX FLOOD LIGHT

100W / 200W / 300W / 400W / 600W

ENVIRONMENTALLY FRIENDLY, ENERGY EFFICIENT



**160  
LPW**

### DESCRIPTION ▶

The FLOOD LIGHT Series deliver the outstanding lumen output, versatile flexibility, and the exceptional durability you need for an extensive scope of demanding area applications.

### APPLICATIONS ▶

Industrial, Commercial, Recreational Spaces, Livestock Lots, Arenas, High Mast Light.

### FEATURES ▶

- Easily adjustable 360° lighting rotation.
- Excellent for harsh weather, high humidity, marine, and industrial applications.
- Light-weight aluminum housing.
- Dedicated heat sinks for long product life.
- 16,000 to 96,000 lumens.
- 70+ CRI at 5000K.
- 20% energy savings vs. traditional lighting.
- 10kV surge protection standard.

### HOUSING

- Aluminum housing.
- Electrophoresis coat, corrosion and rust resistance:
  - Uniform coating thickness over all areas including sharp corners, recesses, cavities and areas that are hard to reach with spray paint.
  - Water based and non-toxic; Complete product paint coverage.
  - Excellent for all aggressive environments including harsh weather, marine, industrial, high humidity.
- Heat sink flanges.

### FINISH

- Ultra-durable 2.0mil weather, corrosion, and rust resistant coating.

### RATING

- ETL listed.
- DLC V4.2 Premium listed.
- IP66 rated for wet locations.
- C136.25-2009.
- Temperature rated at -40° to 60°C.
- Upward Light Output Ratio (ULOR) = 0.

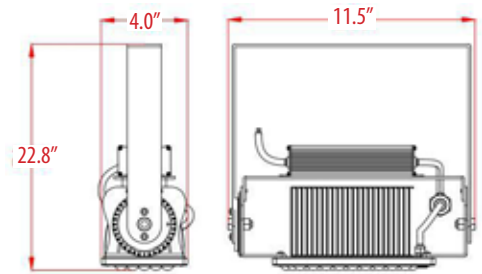


### OPTICS

- Multiple lens options for 10°, 30°, 60°, 90°, and 120° light distribution.

## PERFORMANCE / ORDERING INFORMATION ►

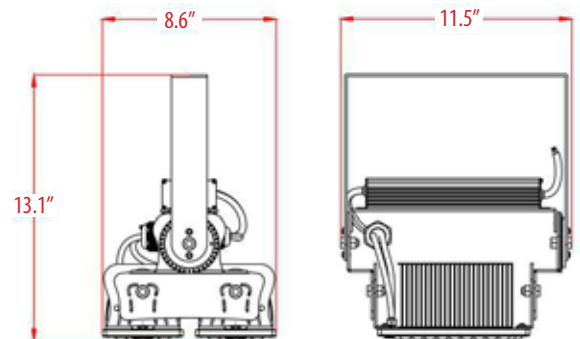
# 100W



USA Model Number	DLC V4.3	Wattage (Watts)	Input Voltage (Volts)	Color Temp (Kelvin)	Optics (Degrees)	Lumens (lm)	LPW	CRI	Weight (lbs.)
FFL1-100W-50K-UNV-10D	Standard	100	120-277	5000K	10	12000	120	>70	6.2
FFL1-100W-50K-UNV-30D	Standard	100	120-277	5000K	30	15500	155	>70	6.2
FFL1-100W-50K-UNV-60D	Standard	100	120-277	5000K	60	16000	160	>70	6.2
FFL1-100W-50K-UNV-90D	Standard	100	120-277	5000K	90	16000	160	>70	6.2
FFL1-100W-50K-UNV-120D	Standard	100	120-277	5000K	120	16000	160	>70	6.2

**Each Model:** PF ↑.95 THD ↓15% **Starting Temp** -40°C – 50°C  
5% variation on published numbers

# 200W

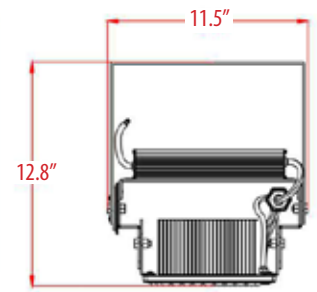
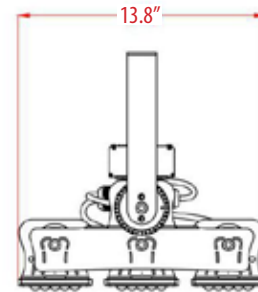


USA Model Number	DLC V4.3	Wattage (Watts)	Input Voltage (Volts)	Color Temp (Kelvin)	Optics (Degrees)	Lumens (lm)	LPW	CRI	Weight (lbs.)
FFL1-200W-50K-UNV-10D	Standard	200	120-277	5000K	10	24000	120	>70	9.0
FFL1-200W-50K-UNV-30D	Standard	200	120-277	5000K	30	31000	155	>70	9.0
FFL1-200W-50K-UNV-60D	Standard	200	120-277	5000K	60	32000	160	>70	9.0
FFL1-200W-50K-UNV-90D	Standard	200	120-277	5000K	90	32000	160	>70	9.0
FFL1-200W-50K-UNV-120D	Standard	200	120-277	5000K	120	32000	160	>70	9.0

**Each Model:** PF ↑.95 THD ↓15% **Starting Temp** -40°C – 50°C  
5% variation on published numbers

PERFORMANCE / ORDERING INFORMATION ►

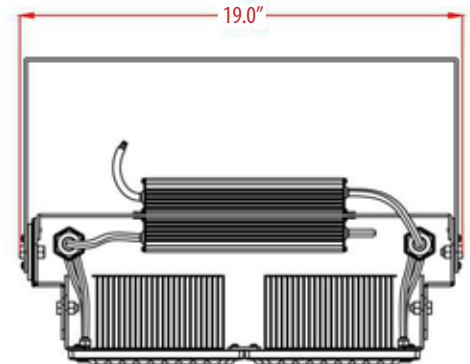
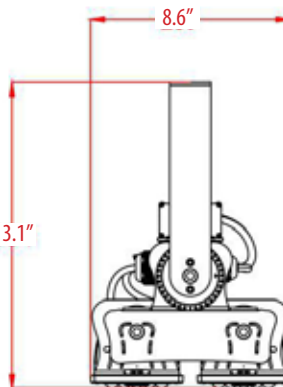
# 300W



USA Model Number	DLC V4.3	Wattage (Watts)	Input Voltage (Volts)	Color Temp (Kelvin)	Optics (Degrees)	Lumens (lm)	LPW	CRI	Weight (lbs.)
FFL1-300W-50K-UNV-10D	Standard	300	120-277	5000K	10	36000	120	>70	12.3
FFL1-300W-50K-UNV-30D	Standard	300	120-277	5000K	30	46500	155	>70	12.3
FFL1-300W-50K-UNV-60D	Standard	300	120-277	5000K	60	48000	160	>70	12.3
FFL1-300W-50K-UNV-90D	Standard	300	120-277	5000K	90	48000	160	>70	12.3
FFL1-300W-50K-UNV-120D	Standard	300	120-277	5000K	120	48000	160	>70	12.3

Each Model: PF ↑.95 THD ↓15% Starting Temp -40°C – 50°C  
5% variation on published numbers

# 400W

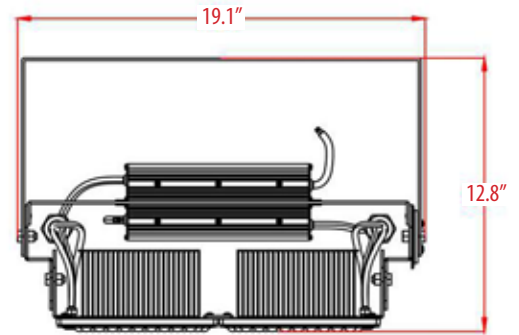
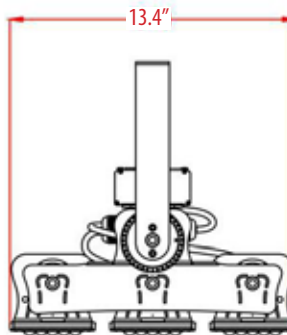


USA Model Number	DLC V4.3	Wattage (Watts)	Input Voltage (Volts)	Color Temp (Kelvin)	Optics (Degrees)	Lumens (lm)	LPW	CRI	Weight (lbs.)
FFL1-400W-50K-UNV-10D	Standard	400	120-277	5000K	10	48000	120	>70	15.4
FFL1-400W-50K-UNV-30D	Standard	400	120-277	5000K	30	62000	155	>70	15.4
FFL1-400W-50K-UNV-60D	Standard	400	120-277	5000K	60	64000	160	>70	15.4
FFL1-400W-50K-UNV-90D	Standard	400	120-277	5000K	90	64000	160	>70	15.4
FFL1-400W-50K-UNV-120D	Standard	400	120-277	5000K	120	64000	160	>70	15.4

Each Model: PF ↑.95 THD ↓15% Starting Temp -40°C – 50°C  
5% variation on published numbers

PERFORMANCE / ORDERING INFORMATION ►

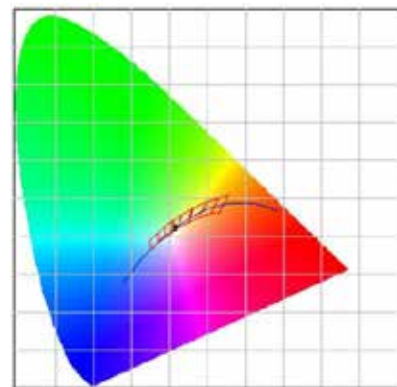
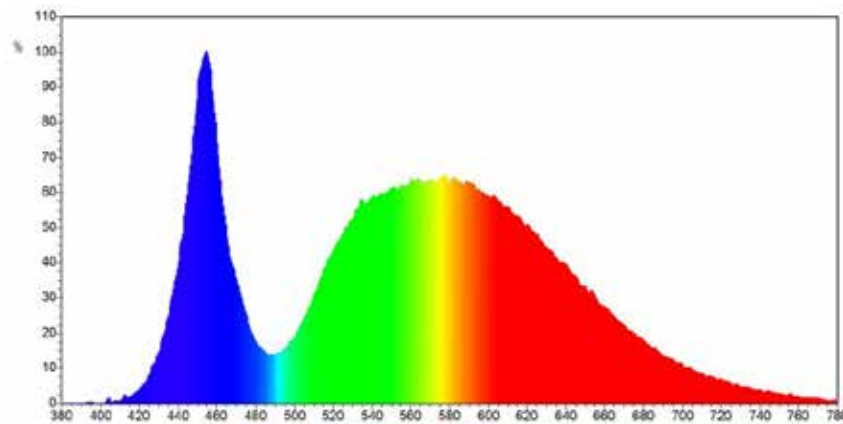
# 600W



USA Model Number	DLC V4.3	Wattage (Watts)	Input Voltage (Volts)	Color Temp (Kelvin)	Optics (Degrees)	Lumens (lm)	LPW	CRI	Weight (lbs.)
FFL1-600W-50K-UNV-10D	Standard	600	120-277	5000K	10	93000	120	>70	21.4
FFL1-600W-50K-UNV-30D	Standard	600	120-277	5000K	30	96000	155	>70	21.4
FFL1-600W-50K-UNV-60D	Standard	600	120-277	5000K	60	96000	160	>70	21.4
FFL1-600W-50K-UNV-90D	Standard	600	120-277	5000K	90	96000	160	>70	21.4
FFL1-600W-50K-UNV-120D	Standard	600	120-277	5000K	120	96000	160	>70	21.4

Each Model: PF ↑.95 THD ↓15% Starting Temp -40°C – 50°C  
5% variation on published numbers

## SYSTEM TEST REPORT (CO-T400A-400W 5000K) ►



**Electrical parameters**

Flux: 63876.5384 lm

I: 1874.2 mA

P: 157.642 lm/w

V: 216.20 V

P: 29591.06 mw

P: 405.200 w

PF: 0.9740

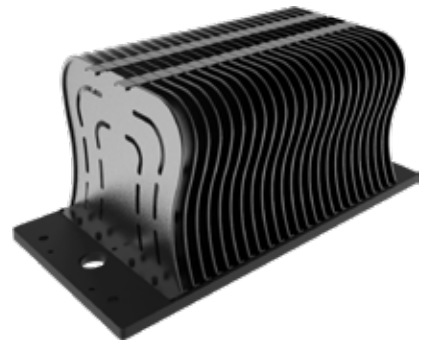
## FEATURES ▶



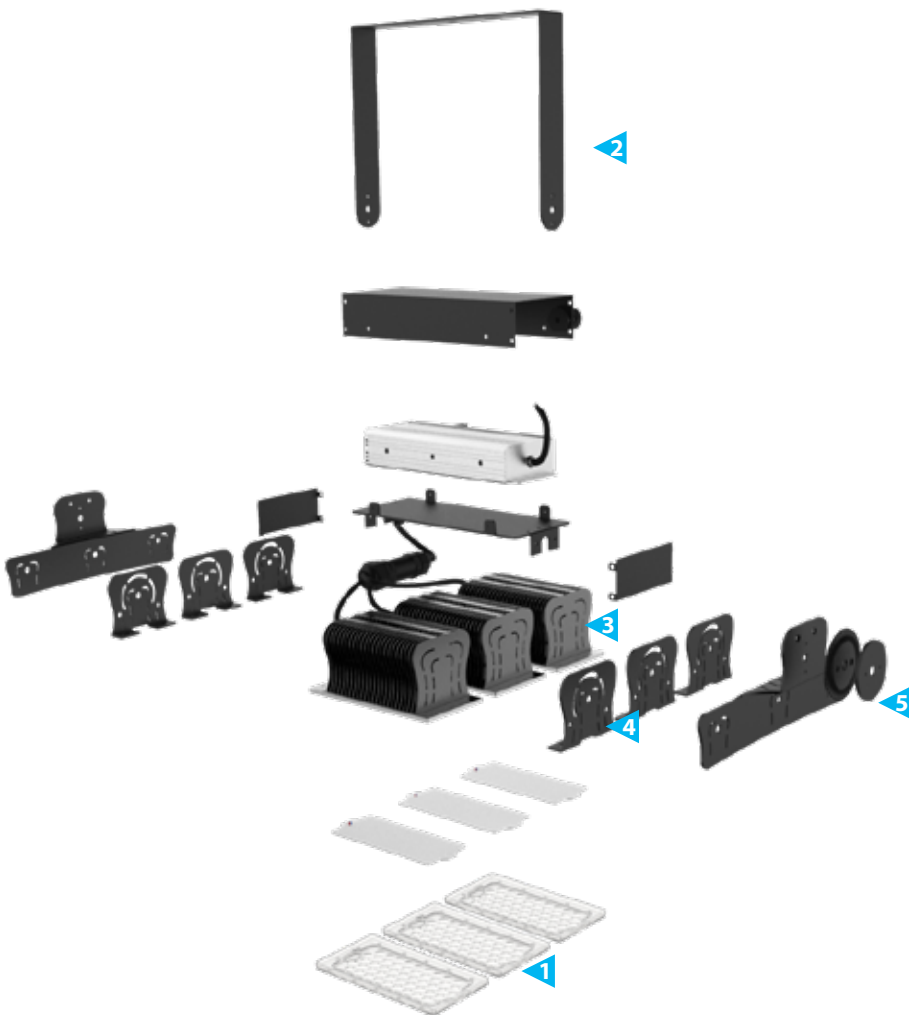
1 Interchangeable Optical Lenses



2 360° Rotatable Bracket



3 High Efficiency Heat Sink



4 Laser Scale Design



5 Original Angle Scale Plate

## PROFESSIONAL LIGHT DISTRIBUTION ►

Multiple optical lens choices are available with angles including 10°/30°/60°/90°/120° to meet the requirements for professional light distribution and an extensive scope of applications.

